



NOV 2025

ET4 Series Zebra Accessories Guide

The right-priced rugged tablets that have it all

For the latest version of this guide and more,
please visit www.zebra.com/et4x



Contents

I. Accessories that POWER devices	
Wall Charger and Cradles	3
Wall charger, Single-slot and multi-slot cradles, cradle mounts, VESA adapter	
Expansion Backs and PowerPacks	9
Expansion Backs, PowerPacks, PowerPack chargers	
Power supply	11
Power supplies, cables, adapters	
II. Accessories that PROTECT devices	
Rugged Boots	13
III. Accessories that ENABLE productivity solutions	
Straps	16
Shoulder Straps, Hand Strap, and D-Clips	
Connect Cradle, Hub, and Stand	17
Connect Cradle, Connect Hub, Presentation Stand, Battery Door Adapter, Desktop Mounting Brackets, Communication “Y” cable, Key Tool	
Payment	20
Payment Backs for Ingenico Link 2500i and Zebra PD20	
Stylus and Tethers	21
Plastic Passive Stylus, Fiber Tip Passive Stylus, Tethers	
Headsets – Wired and Wireless	22
Workforce Connect Headsets, Rugged Headsets – wired and wireless, Adapters	
IV. Other Accessories / Spare / Replacement Parts	24
Spare internal batteries, battery covers, replacement hand straps, etc.	

Note: [Click here](#) to access the ET4 Series Third Party Accessories Guide

Accessories that power devices

Wall charger



USB wall power supply for ET40 & ET45

SKU# PWR-WUA5V12W0XX

USB type A Wall Power Supply adaptor 5V 2.5A

Replace 'XX' in SKU as follows to get the right plug style based on region:

US (United States) • GB (United Kingdom) • EU (European Union) •
AU (Australia) • CN (China) • IN (India) • KR (Korea) • BR (Brazil)

- Charges a single ET40/ET45 tablet
- 8" tablet charges from 0–80% in less than 2.5 hours
- 10" tablet charges from 0–80% in less than 3 hours
- Requires a USB cable sold separately

Sold separately:

- USB C to USB A communications and charging cable
SKU# CBL-TC5X-USBC2A-01



USB wall power supply for ET4 Series

SKU# PWR-WUA5V45W1XX

USB-C Wall Power Supply Adaptor. USB PD 3.1 power supply with an output of 100-240VAC and self-adjusting output ranging from 5V/3A or 20V/2.25A.

Replace 'XX' in SKU as follows to get the right plug style based on region:

US (United States) • GB (United Kingdom) • EU (European Union) •
AU (Australia) • CN (China) • IN (India) • KR (Korea)

- Charges a single ET401 or ET40/ET45 tablet
- 8" tablet charges from 0–80% in less than 2.5 hours
- 10" tablet charges from 0–80% in less than 3 hours
- Requires a USB cable sold separately

Sold separately:

- USB-C to USB-C Communication and Charge Cable. 1-meter long. Supports USB 3.0 SuperSpeed and fast charging.
SKU# CBL-EC5X-USBC3A-01

Accessories that power devices

Single slot cradle



Single-slot charge-only cradle for ET4 Series

SKU# CRD-ET4X-1SCG1-01

Single-slot charge-only cradle. Charges a single ET40, ET45 or ET401 tablet.

- Accommodates tablet with or without rugged boot, expansion back, or payment back.
- 8" tablet charges from 0–80% in less than 2 hours.
- 10" tablet charges from 0–80% in less than 2.5 hours.

Sold separately:

- Power supply SKU# PWR-BGA12V50W0WW and DC cable SKU# CBL-DC-388A1-01.
- Country-specific AC line cord (options listed in this document) compatible with the power supply SKU.



Accessories that power devices

Single slot cradle



Single-slot charge-only cradle for ET401

SKU# CRD-ET4A-1SCG1-01

Single-slot Power Delivery (PD) charge cradle.

- Charges a single ET401 tablet. Charges the main battery in the tablet and the optional PowerPack installed in the Expansion Back
- Requires country-specific Power Supply [SKU# PWR-WUA5V45W1XX](#) with USB-C to USB-C Charging Cable [SKU# CBL-TN28USBC2C-01](#) (sold separately).
Replace 'XX' in SKU as follows to get the right plug style based on region: [US](#) (United States) • [GB](#) (United Kingdom) • [EU](#) (European Union) • [AU](#) (Australia) • [CN](#) (China) • [IN](#) (India) • [KR](#) (Korea) • [BR](#) (Brazil)
- Adjustable to seat the 8-inch or 10-inch tablet, with or without Zebra rugged boot, expansion back, or payment back
- Designed to enable ergonomic insertion/removal of the tablet. The Power LED light shows cradle power status.
- 8" tablet charges from 0–80% in less than 2.5 hours
- 10" tablet charges from 0–80% in less than 3 hours

Sold separately:

- Power supply [SKU# PWR-WUA5V45W1XX](#) and USB-C to USB-C Charging Cable [SKU# CBL-TN28USBC2C-01](#)
- Country-specific AC line cord (options listed in this document above) compatible with the power supply SKU.

Accessories that power devices

Multi slot cradles



Four-slot charge-only cradle for 8" ET4 Series

SKU# CRD-ET4X-4S8I1-01

Four-slot charge-only ShareCradle with T-adapters for 8" tablets. Charges up to four 8" ET4 Series tablets.

- Accommodates tablet with or without rugged boot, expansion back, or payment back.
- T-adapter in each device slot can be flipped/rotated to fit a tablet only configuration or tablet with rugged boot configuration.
- Includes space to install optional four-slot PowerPack battery charger.
- 8" tablet charges from 0–80% in less than 2 hours.

Sold separately:

- Power supply [SKU# PWR-BGA12V108W0WW](#) and DC cable [SKU# CBL-DC-382A1-01](#).
- Country-specific AC line cord (options listed in this document) compatible with the power supply SKU.
- Optional 4-slot PowerPack battery charger [SKU# SAC-ET5X-4PPK1-01](#) and related power cables.

Four-slot charge-only cradle for 10" ET4 Series

SKU# CRD-ET4X-4S10I1-01

Four-slot charge-only ShareCradle with T-adapters for 10" tablets. Charges up to four 10" ET4 Series tablets.

- Accommodates tablet with or without rugged boot, expansion back, or payment back.
- T-adapter in each device slot can be flipped/rotated to fit a tablet only configuration or tablet with rugged boot configuration.
- Includes space to install optional four-slot PowerPack battery charger.
- 10" tablet charges from 0–80% in less than 2.5 hours.

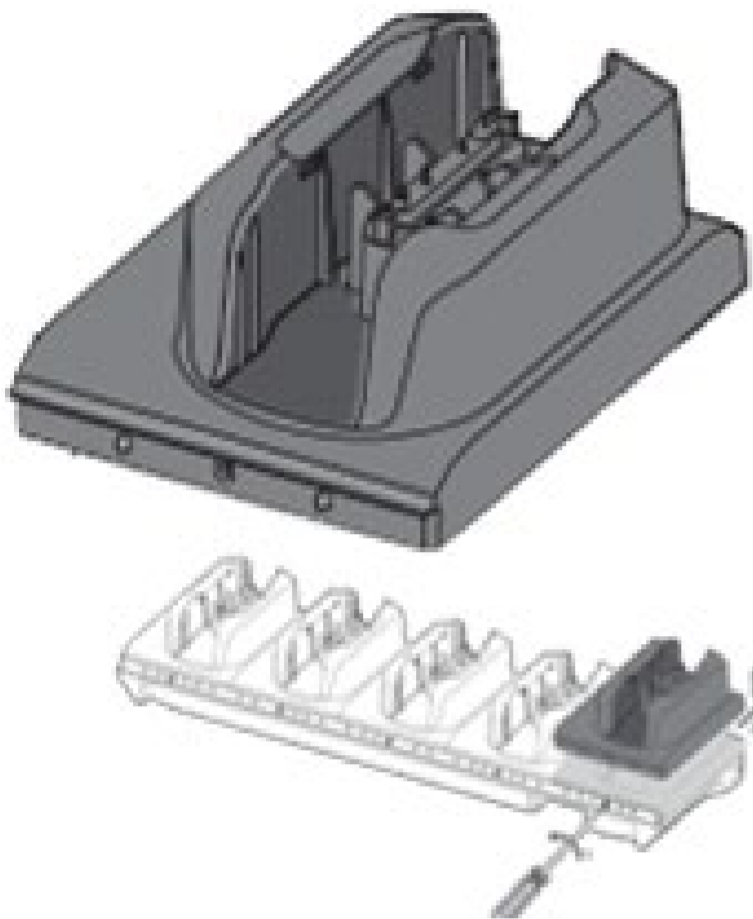
Sold separately:

- Power supply [SKU# PWR-BGA12V108W0WW](#) and DC cable [SKU# CBL-DC-382A1-01](#).
- Country-specific AC line cord (options listed in this document) compatible with the power supply SKU.
- Optional 4-slot PowerPack battery charger [SKU# SAC-ET5X-4PPK1-01](#) and related power cables.



Accessories that power devices

Multi slot cradles



Device cradle cup replacement kit for ET4 Series

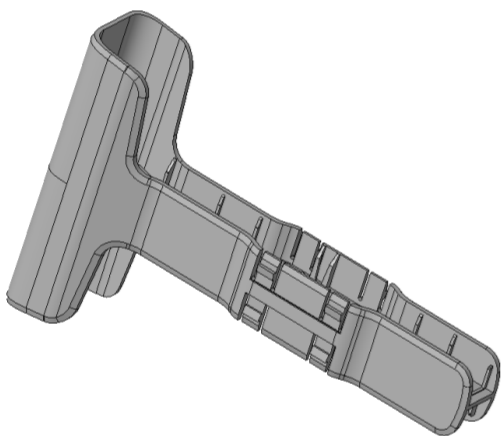
SKU# CRDCUP-4S-ET5TOET4

Replacement kit for conversion of ET5X multi-slot cradle to ET4X multi-slot cradle.

- Supports conversion from ET5X multi-slot cradle SKU# CRD-ET5X-SE4CO3-01
- Also supports conversion from select ET5X multi-slot cradle SKU# CRD-ET5X-SE4CO2-01 with base identifier AS-000254-11 or greater
- Includes one ET4x Cradle Cup
- Does not include the T-adapters needed to hold ET4X tablets.

Sold separately:

- Required T-adapters for tablets to place in cups SKU# ADP-ET4X-8T4S1-04 or SKU# ADP-ET4X-10T4S1-04 for 8" or 10" respectively.

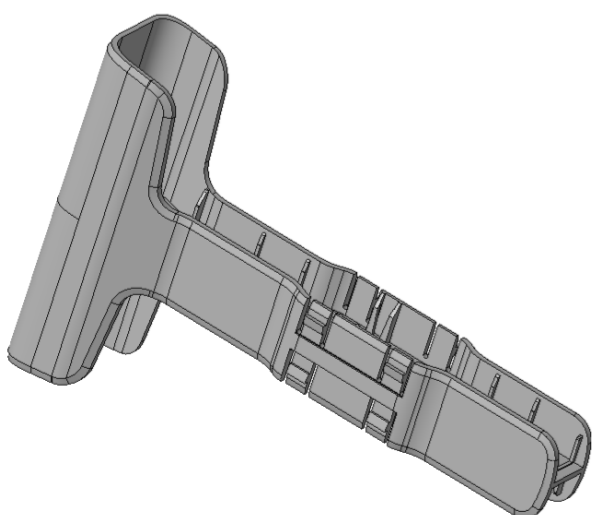


T-adapters for ET4 Series 8" tablets used in multi slot cradles

SKU# ADP-ET4X-8T4S1-04

Optional T-adapter for 8" ET4 Series tablet for use in ET4X Four Slot Cradle (Pack of 4).

- Used as a spare/replacement of T-adapters, or for use with cradle cup replacement kit, or to mix-and-match 8" and 10" tablets in the same cradle
- Accommodates tablet with or without rugged boot, expansion back, or payment back. T-adapter in each device slot can be flipped/rotated to fit a tablet only configuration or tablet with rugged boot configuration.



T-adapters for ET4 Series 10" tablets used in multi slot cradles

SKU# ADP-ET4X-10T4S1-04

Optional T-adapter for 10" ET4 Series tablets for use in ET4X Four Slot Cradle (Pack of 4).

- Used as a spare/replacement of T-adapters, or for use with cradle cup replacement kit, or to mix-and-match 8" and 10" tablets in the same cradle
- Accommodates tablet with or without rugged boot, expansion back, or payment back. T-adapter in each device slot can be flipped/rotated to fit a tablet only configuration or tablet with rugged boot configuration.

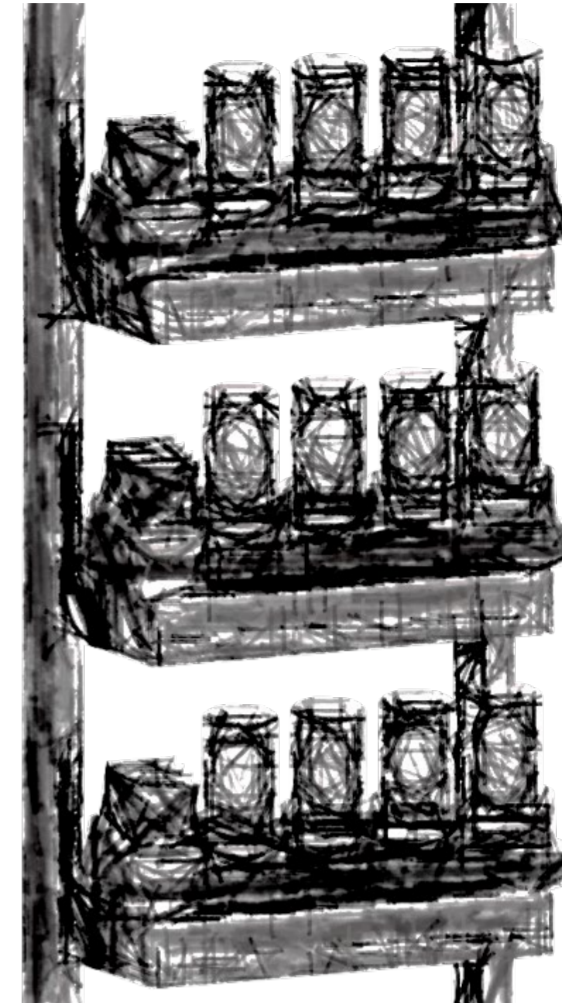
Accessories that power devices

Mounting options for chargers

Rack mounting for space optimization

Optimize available space by mounting any set of four-slot chargers for ET4X on a standard, 19-inch server rack.

- Ideal for customers that have several devices per location.
- Compatible with all multi-slot chargers for ET4X.



Mounting bracket

SKU# BRKT-SCRD-SMRK-01

Use multi-slot ShareCradle mounting bracket to attach four-slot ET4X cradles to the wall or mount on a 19-inch server rack.

- Offers cable routing slots and removable tray that stores / conceals power supply.
- Adjustable orientations include Horizontal or 25° angle for high density easy access

Other mounting options with power

VESA mounting for versatility

Create an ability to mount ET4 Series tablet to any VESA mount.

- Ideal for customers that are retrofitting or have a fixed kiosk need.



VESA adapter for ET4 Series 10" tablets

SKU# ZBK-ET4X-10VESA-01

Expansion Back for 10" ET4 Series tablet with VESA Pattern and DC power input

- Replaces existing battery cover and screws down to back of tablet.
- Powers the tablet using the pogo connectors on the back of the tablet.

Sold separately:

- Power supply SKU# PWR-BGA12V50W0WW and DC cable SKU# CBL-DC-388A2-01.
- Country-specific AC line cord (options listed in this document) compatible with the power supply SKU.

Accessories that power devices

Expansion backs and PowerPacks



Expansion backs for ET4 Series 8" and 10" tablets

8" SKU# ZBK-ET4X-8BTRYBK1-01

10" SKU# ZBK-ET4X-10BTRYBK1-01

Expansion Back for 8" tablets and 10" tablets for use with PowerPack batteries. Includes rotating hand strap and scanner trigger buttons.

- Replaces existing battery cover and screws down to back of tablet.
- May be used for ergonomics only, if necessary, for rotating handstrap and scan buttons.
- Use of PowerPack battery is optional. Battery compartment needs to be covered with a plastic cap/plug in lieu of PowerPack battery.
- PowerPack in Expansion Back on a tablet is charged only when tablet is placed in a cradle.

Sold separately:

- PowerPack battery [SKU# BTRYET5X-PRPK2-01](#)
- Optional 4-slot PowerPack battery charger [SKU# SAC-ET5X-4PPK1-01](#) and related power cables.



PowerPack battery for expansion backs

SKU# BTRY-ET5X-PRPK2-01

INDIA SKU# BTRY-ET5X-PRPK2-IA

Optional PowerPack battery for use in ET4X and ET5X expansion backs for 8" and 10" tablets. Rechargeable Li-Ion 7.6V 3400mAh 25.84Wh.

- Battery charges internal battery of ET4X tablet.
- Has 5 LED indicators for PowerPack charge status.
- Hot swappable in the expansion back, enables continuous use across multiple shifts.

Sold separately:

- Optional 4-slot PowerPack battery charger [SKU# SAC-ET5X-4PPK1-01](#) and related power cables.

Accessories that power devices

Expansion backs and PowerPacks



Four slot PowerPack battery charger

SKU# SAC-ET5X-4PPK1-01

Toaster-style battery charger. Charges up to four PowerPack batteries.

- Standalone 4-slot charger with charge state indicator LEDs
- Can be docked in 4-slot ShareCradle via adapter cup - requires its own power supply even while docked with ShareCradles

Sold separately:

- Power supply [SKU# PWR-BGA12V50W0WW](#) and DC cable [SKU# CBL-DC-388A1-01](#).
- Country-specific AC line cord (options listed in this document) compatible with the power supply SKU.
- PowerPack battery [SKU# BTRYET5X-PRPK2-01](#)

Accessories that power devices

Power supply, cables, and adaptors

Power supply and cable matrix

SKU#	Description	Note
PWR-BGA12V108W0WW	Level VI AC/DC power supply brick. AC Input: 100–240V, 2.8A. DC Output: 12V, 9A, 108W.	Use with: • CRD-ET4X-4S8I1-01 • CRD-ET4X-4S10I1-01
CBL-DC-382A1-01	DC line cord for running multi-slot cradles from a single Level VI power supply.	
PWR-BGA12V50W0WW	Level VI AC/DC power supply brick. AC Input: 100-240V, 2.4A. DC Output: 12V, 4.16A, 50W.	Use with: • SAC-ET5X-4PPK1-01 • ZBK-ET4X-10VESA-01 • STND-ET4X-10POS1-01
PWR-BGA24V150W1WW	Level VI AC/DC Power Supply Brick. AC Input: 100-240V, 2.0A. DC Output: 24V, 6.25A, 150W.	Use with: • CRD-BLNK-1SNHP-01
CBL-DC-388A1-01	DC line cord for running single-slot cradles or battery chargers from a single Level VI power supply.	Use with: • CRD-ET4X-1SCG1-01 • SAC-ET5X-4PPK1-01
CBL-DC-388A2-01	DC line cord for running VESA mounts and Presentation Stand from a single Level VI power supply. 12VDC, 4.16A, 1.8m length.	Use with: • ZBK-ET4X-10VESA-01 • STND-ET4X-10POS1-01
CBL-TC5X-USBC2A-01	USB C to USB A communications and charging cable, 1m long	Use with: • PWR-WUA5V12W0XX
PWR-WUA5V12W0XX	USB type A power supply adaptor (wall plug). Replace 'XX' in SKU as follows to get the right plug style based on region: US (United States) • GB (United Kingdom) • EU (European Union) AU (Australia) • CN (China) • IN (India) • KR (Korea) • BR (Brazil)	Use with a communications & charge cable to directly charge ET40 / ET45 device drawing power from a wall socket.
PWR-WUA5V45W1XX	USB-C Wall Power Supply Adaptor. USB PD 3.1 power supply with an output of 100-240VAC and self-adjusting output ranging from 5V/3A or 20V/2.25A.	Use with: • CRD-ET4A-1SCG1-01 • CBL-TN28USBC2C-01
CBL-TN28USBC2C-01	USB-C to USB-C Charging Cable	Use with: • CRD-ET4A-1SCG1-01 • PWR-WUA5V45W1XX

Accessories that power devices

Power supply, cables, and adaptors

Country-specific AC line cords: grounded, 3-prong



SKU#	Country / region	Note
23844-00-00R	North America (United States, Canada, Mexico)	7.5 feet long
50-16000-678R	North America (United States, Canada, Mexico)	3 feet long
50-16000-221R	North America (United States, Canada, Mexico)	6 feet long
50-16000-727R	Brazil	1.8 meters (6 feet) long
50-16000-680R	Argentina	1.8 meters (6 feet) long
50-16000-217R	American Samoa, Australia, New Guinea	1.8 meters (6 feet) long
50-16000-218R	Japan	1.8 meters (6 feet) long
50-16000-219R	Antigua, Bermuda, Burma, Channel Islands, Hong Kong, Iraq, Ireland, Malaysia, North Ireland, Scotland, Singapore, United Kingdom, Wales	1.8 meters (6 feet) long
50-16000-257R	China	1.8 meters (6 feet) long
50-16000-220R	Europe, Abu Dhabi, Bolivia, Dubai, Egypt, Iran, Korea, Russia, Vietnam	1.8 meters (6 feet) long
50-16000-671R	Italy	1.8 meters (6 feet) long
50-16000-669R	India, S. Africa, Africa	1.8 meters (6 feet) long

Accessories that protect devices

Rugged boots



Rugged boot for 8" ET40 and ET45 tablets

SKU# SG-ET4X-8EXOSKL1-01

Rugged Boot / Exoskeleton for 8" ET40 and ET45 tablet

- Snap-on style; no tools needed
- Increases drop protection to 5.1ft / 1.55m
- Has hook points for D-clips and straps
- Leaves the battery door/cover area open to accommodate expansion backs that go to the back of the tablet
- Compatible with the single-slot and multi-slot cradles

Sold separately:

- D-clips [SKU# SG-ET4X-DCLIPS-01](#)
- Purpose-built shoulder strap [SKU# SG-ET5X-SHDRSTP-01](#) or [58-40000-007R](#)



Rugged boot for 10" ET40 and ET45 tablets

SKU# SG-ET4X-10EXOSKL1-01

Rugged Boot / Exoskeleton for 10" ET40 and ET45 tablet

- Snap-on style; no tools needed
- Increases drop protection to 5.1ft / 1.55m
- Has hook points for D-clips and straps
- Leaves the battery door/cover area open to accommodate expansion backs that go to the back of the tablet
- Compatible with the single-slot and multi-slot cradles

Sold separately:

- D-clips [SKU# SG-ET4X-DCLIPS-01](#)
- Purpose-built shoulder strap [SKU# SG-ET5X-SHDRSTP-01](#) or [58-40000-007R](#)

Accessories that protect devices

Rugged boots



Rugged boot for 8" ET401 tablets

SKU# SG-ET401-08EXO-01 (with Scanner)

SKU# SG-ET401-08EXO-02 (without Scanner)

ET401 8-inch Exoskeleton Rugged Boot Accessory

- Snap-on style; no tools needed
- Increases drop protection to 5.1ft / 1.55m
- Has hook points for D-clips and straps (sold separately)
- Leaves the battery door/cover area open to accommodate expansion backs that go to the back of the tablet
- Compatible with the single-slot and multi-slot cradles

Sold separately:

- D-clips [SKU# SG-ET4X-DCLIPS-01](#)
- Purpose-built shoulder strap [SKU# SG-ET5X-SHDRSTP-01](#) or [58-40000-007R](#)



Rugged boot for 10" ET401 tablets

SKU# SG-ET401-10EXO-01 (with Scanner)

SKU# SG-ET401-10EXO-02 (without Scanner)

ET401 10-inch Exoskeleton Rugged Boot Accessory

- Snap-on style; no tools needed
- Increases drop protection to 5.1ft / 1.55m
- Has hook points for D-clips and straps (sold separately)
- Leaves the battery door/cover area open to accommodate expansion backs that go to the back of the tablet
- Compatible with the single-slot and multi-slot cradles

Sold separately:

- D-clips [SKU# SG-ET4X-DCLIPS-01](#)
- Purpose-built shoulder strap [SKU# SG-ET5X-SHDRSTP-01](#) or [58-40000-007R](#)

Accessories that protect devices

Rugged boots



Conversion rugged boot for 8" ET401 tablets

SKU# SG-ET401-08ET5-01 (Black color)

SKU# SG-ET401-08ET5-02 (Blue color)

Exoskeleton rugged boot accessory to convert 8" ET401 tablets with scanner into a form factor that fits some ET5 series docks

- Compatibility verified with specific obsolete third party ET5 series docks. Please contact third party dock vendors to validate compatibility.
- Includes rugged boot, Bottom IO expansion adapter, USB-C slot expansion adapter and screws (screwdriver needed to assemble).
- Increases drop protection to 5.1ft / 1.55m
- Has hook point for D-clips and straps (sold separately)
- Leaves the battery door/cover area open to accommodate expansion backs that go to the back of the tablet

Sold separately:

- D-clips **SKU# SG-ET4X-DCLIPS-01**
- Purpose-built shoulder strap **SKU# SG-ET5X-SHDRSTP-01** or **58-40000-007R**

Accessories that enable productivity solutions

Shoulder straps and hand straps

Note: Straps and D-clips, on tablet/boot in certain orientations, may not be compatible with the multi-slot cradles. Users may need to unhook the D-clips to charge tablet in the cradle.



Breakaway shoulder strap for ET4 Series

SKU# SG-ET5X-SHDRSTP-01

Shoulder strap with breakaway safety feature for 8" and 10" ET4 Series tablets

- Requires Rugged Boot and D-clips to hook to use with ET4X tablet
- Has points near the clip that break when pulled, for safety

Sold separately:

- D-clips SKU# SG-ET4X-DCLIPS-01
- Rugged boots SKU# SG-ET4X-8EXOSKL1-01; SG-ET4X-10EXOSKL1-01; SG-ET401-08EXO-01; SG-ET401-08EXO-02; SG-ET401-10EXO-01 or SG-ET401-10EXO-02



Universal shoulder strap for ET4 Series

SKU# 58-40000-007R

Universal shoulder/cross-body strap for 8" and 10" ET4 Series tablets

- Requires Rugged Boot and D-clips to hook to use with ET4X tablet
- 1.5" wide, 22" to 50" length

Sold separately:

- D-clips SKU# SG-ET4X-DCLIPS-01
- Rugged boots SKU# SG-ET4X-8EXOSKL1-01; SG-ET4X-10EXOSKL1-01; SG-ET401-08EXO-01; SG-ET401-08EXO-02; SG-ET401-10EXO-01 or SG-ET401-10EXO-02



Hand strap for ET4 Series

SKU# SG-ET5X-HNDSTP-01

Hand strap for 8" and 10" ET4 Series tablets

- Requires Rugged Boot and D-clips to hook to use with ET4X tablet
- Plastic handle for secure grip and carrying

Sold separately:

- D-clips SKU# SG-ET4X-DCLIPS-01
- Rugged boots SKU# SG-ET4X-8EXOSKL1-01; SG-ET4X-10EXOSKL1-01; SG-ET401-08EXO-01; SG-ET401-08EXO-02; SG-ET401-10EXO-01 or SG-ET401-10EXO-02



D-clips for ET4 Series

SKU# SG-ET4X-DCLIPS-01

Pair of D-clips that provides required hook points for a shoulder or hand strap on a rugged frame on 8" and 10" ET4 Series tablet

Accessories that enable productivity solutions

Connect cradles

These accessories allow for the ET4 Series tablet to connect to multiple purpose-built peripherals and enable Zebra Workstation Connect on an external monitor. The Connect Cradle offers connections for standard workstation setups (monitor, keyboard, mouse) while the Connect Hub provides three additional powered USB ports for setups utilizing POS-specific peripherals such as a payment terminal, receipt printer, or scanner.



Connect cradle for ET4 Series

SKU# CRD-ET4X-1SNWS-02 or CRD-ET4X-1SNWS-01

Workstation Connect Cradle for 8"/10" ET4 Series tablets

- Allows to connect the tablet to an external monitor and peripherals.
- Ports on the cradle include HDMI, RJ45 ethernet, 3.5mm headset jack and four USB-A.
- Accommodates tablet with or without rugged boot.
- CRD-ET4X-1SNWS-02 is compatible with expansion back, or payment back on the tablet.
- Features a locking cable cover that secures and protects the connections of all peripherals in the back, preventing tampering or accidental disconnects

Sold separately:

- Power supply [SKU# PWR-BGA12V50W0WW](#) and DC cable [SKU# CBL-DC-388A2-01](#)
- Country-specific grounded AC line cord (options listed in this document) compatible with the power supply SKU.



Connect Hub for ET4 Series

SKU# CRD-BLNK-1SNHP-01

Point of Sale Connect Hub for 8"/10" ET4 Series tablets

- Allows to connect a host device to an external monitor and multiple peripherals.
- Ports on the hub include HDMI, RJ45 ethernet, 3.5mm headset jack, four USB-A, 24V powered USB, and two 12V powered USB ports.
- Accommodates tablet with or without rugged boot. Incompatible with expansion back, or payment back on the tablet.
- Features a locking cable cover that secures and protects the connections of all peripherals in the back, preventing tampering or accidental disconnects

Sold separately:

- Charge and Communication cable [SKU# CBL-ET4X-SCHCAB-01](#)
- Power supply [SKU# PWR-BGA24V150W1WW](#)
- Mounting Bracket [SKU# BRKT-NWPC-DSKPS-01](#)
- Country-specific grounded AC line cord (options listed in this document) compatible with the power supply SKU.

Accessories that enable productivity solutions

Presentation stand

ET4 Series tablets are retail-ready and hospitality-ready with Zebra's Presentation Stand to facilitate a kiosk, check-in, self-service, information, or point-of-sale application.



Presentation stand for 10" ET4 Series

SKU# STND-ET4X-10POS1-01

Presentation Stand for 10" ET4 Series tablets

- Tablet is mounted to the stand and receives power and USB communication using the battery door adapter
- Stand features height adjustment, tablet tilting for the best view angle, and base rotation to switch between associate and customer controlling the application content based on the tablet orientation
- Tablet is secured using an electro-mechanical lock; can be unlocked using an application on tablet or a back-up mechanical key
- Accommodates tablet with or without rugged boot
- Can be mounted securely to the desk/table using a desktop mounting plate
- When used with a Connect Hub for POS application, a communication "Y" cable is required.

Sold separately:

- Battery Door Adapter for Presentation Stand [SKU# MISC-ET4X-BTDPS-01](#) or [SKU# MISC-ET4X-PBTDS-01](#) in landscape or portrait orientation, respectively.
- Desktop Mounting Plate [SKU# BRKT-ET4X-DSKPS-01](#)
- Charge and Communication "Y" cable [SKU# CBL-ET4X-SCHCAB-01](#)
- Power supply [SKU# PWR-BGA12V50W0WW](#) and DC cable [SKU# CBL-DC-388A2-01](#)
- Country-specific grounded AC line cord (options listed in this document) compatible with the power supply SKU.

Battery cover for presentation stand for 10" ET4 Series

Landscape Orientation [SKU# MISC-ET4X-BTDPS-01](#)

Portrait Orientation [SKU# MISC-ET4X-PBTDS-01](#)

Battery Cover for 10" ET4 Series tablet to dock with the Presentation Stand

- Replaces existing battery cover and screws down to back of tablet in landscape orientation.
- Provides charge and communication.

Accessories that enable productivity solutions

Accessories related to connect cradles and stand

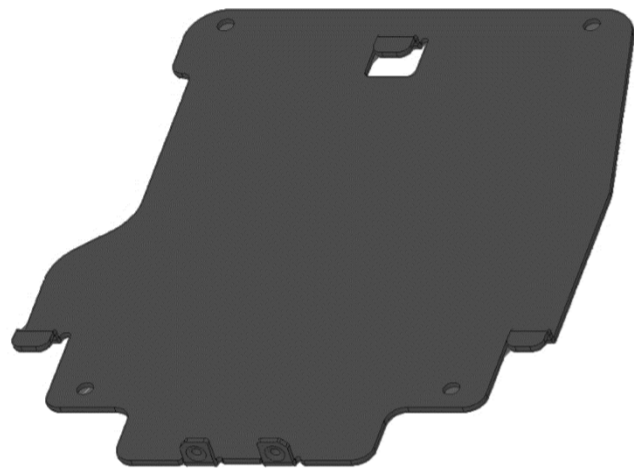


Desktop mounting bracket for Connect Hub

SKU# BRKT-NWPC-DSKPS-01

Desktop Mounting Bracket for Connect Hub

- Enables secure mounting of Connect Hub to the desk/table
- Provides additional security against theft of the Connect Hub

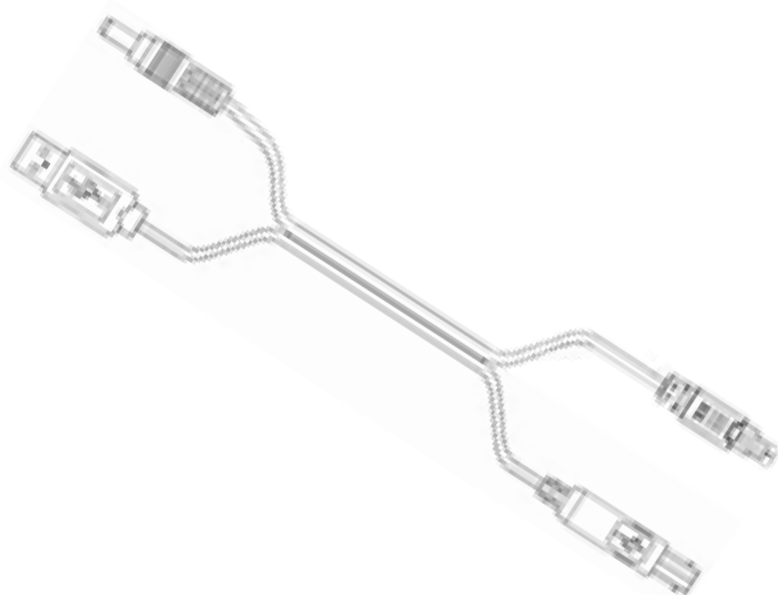


Desktop mounting bracket for presentation stand

SKU# BRKT-ET4X-DSKPS-01

Desktop Mounting Bracket for Presentation Stand

- Enables secure mounting of Presentation Stand to the desk/table
- Provides additional security against theft of the stand and blocks the bottom USB and power ports



Charge and communication “Y” cable

SKU# CBL-ET4X-SCHCAB-01

Charge and Communication “Y” cable for Connect Hub and Presentation Stand

- Provides charge and enables communication between Presentation Stand and peripherals connected to the Connect Hub.
- Provides additional security against theft of the stand and blocks the bottom USB and power ports



Presentation stand release tool

SKU# KT-MC18-CKEY-20

Mechanical tool to release the tablet from the Presentation Stand (pack of 20)

- Used as a back up mechanical release and/or in lieu of SW application.

Accessories that enable productivity solutions

Payment

ET4 Series tablets are retail-ready with Zebra's innovative payment backs providing not only secure and reliable connectivity to the industry leading PEDs but also superior ergonomic experience



Payment back for Ingenico Link 2500i

SKU# ZBK-ET4X-8PAY2500I1-01

Payment back/sled for Ingenico Link 2500i on 8" ET4 Series tablets

- Replaces existing battery cover and screws down to back of tablet
- Enables the more reliable USB connectivity to the tablet, alongside the BT and WiFi connectivity that comes with the Link2500i
- Payment sled rotates, comes with hand strap and features additional scanning key to provide ergonomic scanning and payment experience in both portrait and landscape orientations.
- Hand strap comes with quick release clip for easy detach and handovers
- Accommodates tablet with or without rugged boot
- Payment back supports charging of the Link2500i; charging behavior configurable through customer's payment application.



Payment back for Zebra PD20 and Zebra Pay Subscription

SKU# ZBK-ET4X-8PAYPD201-011

SKU# ZPAY-SP=PROD-01, ZPAY-SP-PROD-02, ZPAY-SP-PROD-03

Payment back/sled for Zebra PD20 on 8" ET4 Series tablets

- Replaces existing battery cover and screws down to back of tablet
- Enables the more reliable USB connectivity to the tablet
- Payment sled rotates, comes with hand strap and features additional scanning key to provide ergonomic scanning and payment experience in both portrait and landscape orientations.
- Hand strap comes with quick release clip for easy detach and handovers
- Accommodates tablet with or without rugged boot
- Enables power management of PD20, optimized to last for a full shift plus.

Sold separately:

- Zebra Payment Device PD20

Zebra Pay™

The enterprise mobile payment solution built for Zebra devices



worldpay from FIS globalpayments fiserv.

Accessories that enable productivity solutions

Stylus and tethers



Plastic passive stylus set

SKU# SG-TC7X-STYLUS-03

Pack of three passive stylus and coiled tethers

- Rigid plastic stylus, conductive Carbon-filled plastic material with 5.0 mm / 0.2" tip and 8.9 cm / 3.5" length is optimized for enterprise durability.
- Stylus has a clip and tether point to reduce loss. Tether to hand strap on Expansion Back, Rugged Boot, or D-clip on Rugged Boot.
- Stylus may be clipped on the rotating hand strap of the Expansion Back for PowerPack.



Fiber tipped passive stylus set

SKU# SG-STYLUS-TCX-MTL-03

Pack of three passive stylus with Micro-Knit Hybrid Mesh Fiber Tip

- Heavy duty stylus, made from stainless steel and brass, with 12.7 cm / 5" length and Micro-Knit Hybrid Mesh fiber tip provides silent, smooth gliding use
- Ideal for use in rain or wet conditions
- Stylus has a clip and tether point to reduce loss.
- Stylus may be clipped on the rotating hand strap of the Expansion Back for PowerPack.

Sold separately:

- Coiled Tethers (pack of three) SKU# KT-TC7X-TETHR1-03



Coiled tether set

SKU# KT-TC7X-TETHR1-03

Pack of three coiled tether for use with plastic or fiber tipped passive stylus

- Tether to hand strap on Expansion Back, Rugged Boot, or D-clip on Rugged Boot

Accessories that enable productivity solutions

Headsets

Close gaps, open possibilities with Workcloud Sync

Usher in a new era of transformation—one led by your frontline and powered by Zebra Workcloud Sync. One where communication and information flows freely and gaps between teams, workflows and data are closed.

With Workcloud Sync, hindered workers become effective problem solvers, contributing their best. Critical workflows are streamlined in one place, on one device, equipping workers with the information they need, right at their fingertips.

Only Zebra offers the most complete lineup of software and rugged hardware with the scalability, support and service needed to make the greatest impact where it counts—on the frontline.

[Learn more about you can elevate your frontline workers with Zebra Workcloud Sync.](#)



USB-C wired headsets

SKU# HDST-USBC-PTT1-01

PTT headset with USB-C connector; one-piece solution.

- For Push-To-Talk (PTT) applications with volume up/volume down/PTT buttons.
- Rotating earpiece allows for right or left ear configuration. Mono headset with microphone.
- Includes clip for attaching PTT button to clothing.

Accessories that enable productivity solutions

Headsets

Rugged Bluetooth and corded HD voice headsets for the most demanding industrial environments

When it comes to enabling speech-driven applications and voice communications in warehouses, manufacturing plants and outdoor yards, you need a headset that is specially designed for the job. The HS3100 Bluetooth and HS2100 corded headsets are loaded with features that offer everything you need in an industrial headset.



HS2100 wired rugged headsets for ET40 & ET45

Corded HD voice headset for use with 8" and 10" ET40 and ET45 tablets

- Dustproof, spray proof, and waterproof.
- Noise cancellation for a superior voice experience in the noisiest environments.
- Swiveling boom mutes microphone allowing user to prevent voice pick applications from recognizing non-voice pick conversations.
- Feather-light for extraordinary comfort.
- Requires two adapter cables (sold separately): HS2100 to 3.5mm adapter [SKU#CBL-HS2100-3MS1-01](#) and USB-C to 3.5mm adapter [SKU# ADP-USBC-35MM1-01](#)

SKU#	Description
HS2100-OTH	HS2100 Rugged Wired Headset Over-The-Head Headband includes HS2100 Boom Module and HSX100 OTH Headband Module
HS2100-BTN-L	HS2100 Rugged Wired Headset (Behind-the-neck headband left)
HS2100-OTH-SB	HS2100 Rugged Wired Headset (Over-the-head headband) includes HS2100 Shortened Boom Module and HSX100 OTH headband module
HS2100-BTN-SB	HS2100 Rugged Wired Headset (Behind-the-neck headband left) includes HS2100 Shortened Boom Module and HSX100 BTN headband module



HS3100 wireless rugged headsets for ET40 & ET45

Wireless Bluetooth voice headset for use with 8" and 10" ET40 and ET45 tablets

- Noise cancellation tuned for Voice-Directed Picking applications.
- Swap batteries on the fly — without losing the Bluetooth connection.
- Split-second tap-to-pair simplicity using NFC. 15 hours of battery power.

SKU#	Description
HS3100-OTH	HS3100 Rugged Wired Headset Over-The-Head Headband includes HS3100 Boom Module and HSX100 OTH Headband Module
HS3100-BTN-L	HS3100 Rugged Wired Headset (Behind-the-neck headband left)
HS3100-OTH-SB	HS3100 Rugged Wired Headset (Over-the-head headband) includes HS3100 Shortened Boom Module and HSX100 OTH headband module
HS3100-BTN-SB	HS3100 Rugged Wired Headset (Behind-the-neck headband left) includes HS3100 Shortened Boom Module and HSX100 BTN headband module
HS3100-SBOOM-01	HS3100 Shortened Boom Module (includes microphone boom, battery and windscreen)

Other accessories – spare/replacement

Tablet-related spare / replacements



Spare/replacement internal battery for 8" ET40 or ET45

SKU# BTRY-ET4X-8IN-1-01

India SKU# BTRY-ET4X-8IN1-IN

Field Replaceable Internal Battery for 8" ET40 or ET45 tablets.
Rechargeable Li-Ion 3.87V 6100mAh 23.61Wh.

- PowerPrecision Battery. Obtain advanced battery state of health information including charge level and battery age based on usage patterns.
- Internal Battery charges only when inside the tablet.



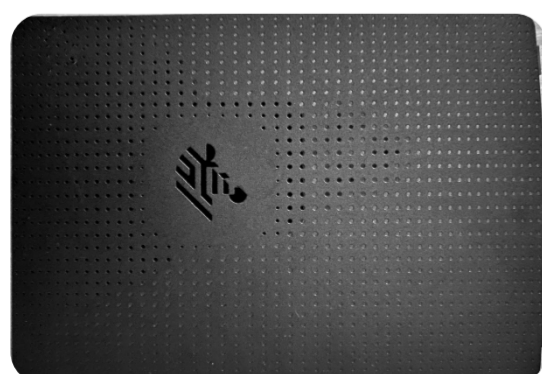
Spare/replacement internal battery for 10" ET40 or ET45

SKU# BTRY-ET4X-10IN-1-01

India SKU# BTRY-ET4X-10IN1-IN

Field Replaceable Internal Battery for 10" ET40 or ET45 tablets.
Rechargeable Li-Ion 3.87V 7600mAh 29.41Wh.

- PowerPrecision Battery. Obtain advanced battery state of health information including charge level and battery age based on usage patterns.
- Internal Battery charges only when inside the tablet.



Spare/replacement battery cover for ET40 or ET45

8" SKU# MISC-ET4X-8BATCVR-01

10" SKU# MISC-ET4X-10BATCVR-01

Spare/Replacement Cover for Battery Housing for 8" or 10" ET40 and ET45

- Ideal when the original battery cover is lost or damaged.

Other accessories – spare/replacement

Tablet-related spare / replacements



Spare/replacement internal battery for 8" ET401

SKU# BTRY-ET401-08INC-01

India SKU# BTRY-ET401-08INC-IN

Field Replaceable Internal Battery for 8" ET401 tablets. Rechargeable Li-Ion Polymer with nominal 3.91V, 6000mAh and 23.46Wh.

- PowerPrecision Battery. Obtain advanced battery state of health information including charge level and battery age based on usage patterns.
- Internal Battery charges only when inside the tablet.



Spare/replacement internal battery for 10" ET401

SKU# BTRY-ET401-10INC-01

India SKU# BTRY-ET401-10INC-IN

Field Replaceable Internal Battery for 10" ET401 tablets. . Rechargeable Li-Ion Polymer with nominal 3.91V, 7500mAh and 29.35Wh.

- PowerPrecision Battery. Obtain advanced battery state of health information including charge level and battery age based on usage patterns.
- Internal Battery charges only when inside the tablet.

Spare/replacement battery cover for ET401

8" SKU# MISC-ET401-08BTC-01

10" SKU# MISC-ET401-10BTC-01

Spare/Replacement Cover for Battery Housing for 8" or 10" ET401

- Ideal when the original battery cover is lost or damaged.

Other accessories – spare/replacement

Accessories-related spare / replacements



Spare/replacement rotating hand strap for ET4 Series

SKU# SG-ET5X-RHTP1-01

Spare/Replacement Rotating Hand Strap used on expansion back

- Adjustable and 360-degree rotatable handstrap that mounts on the back of the expansion back for ET4X SKU# ZBK-ET4X-8BTRYBK1-01 or SKU# ZBK-ET4X-10BTRYBK1-01
- Provides secure ergonomic option for holding the device



The Zebra wordmark and logo are trademarks of Zebra Technologies Corp., registered in many jurisdictions worldwide. All other trademarks are the property of their respective owners. ©2025 Zebra Technologies Corp. and/or its affiliates.